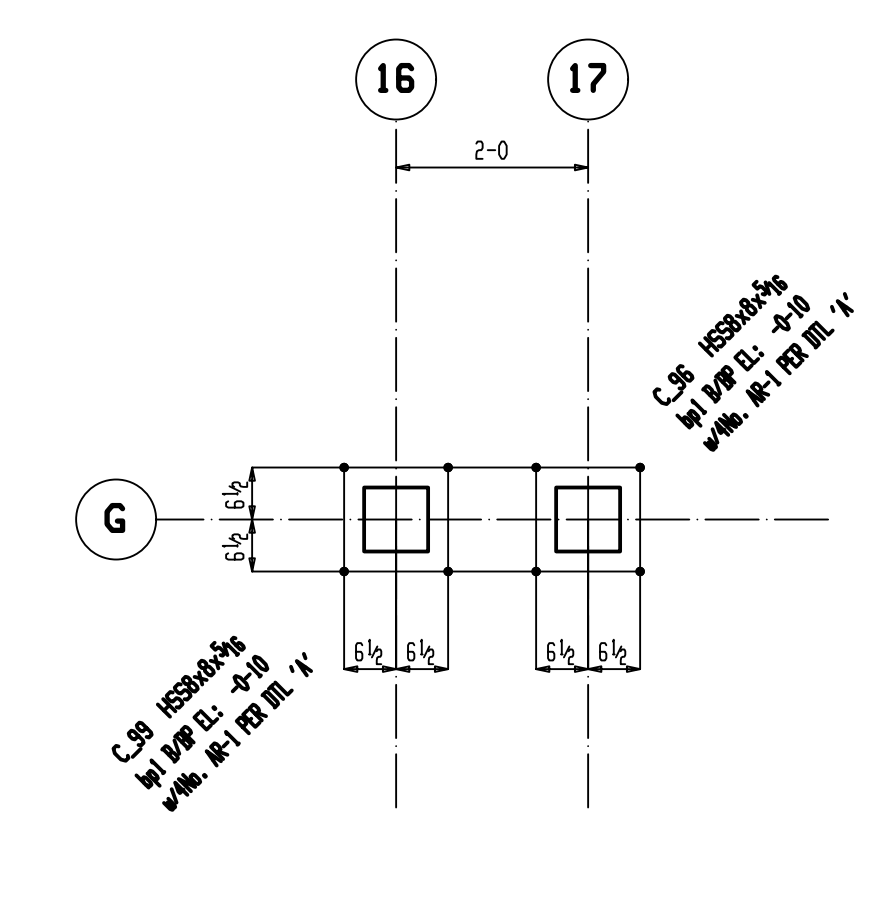
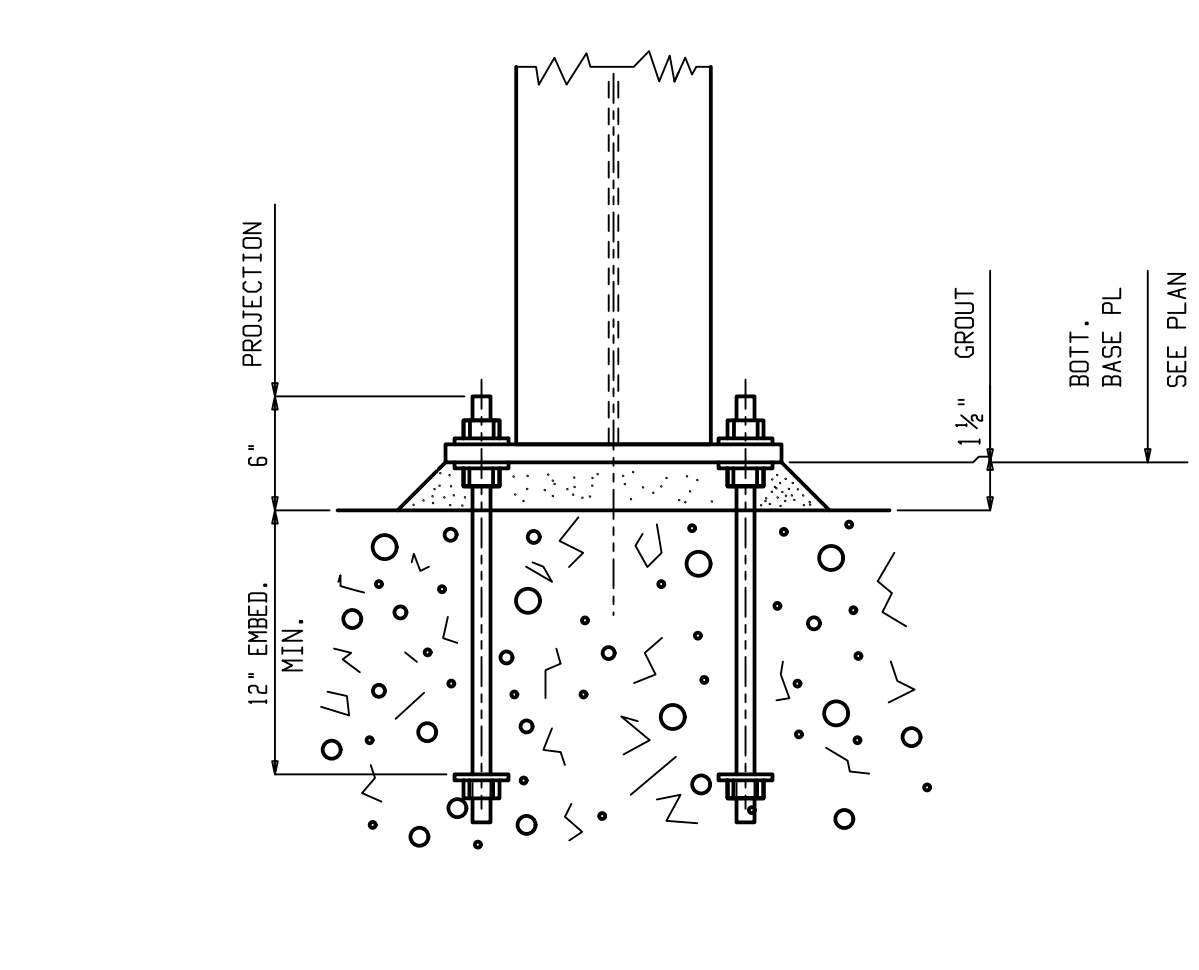
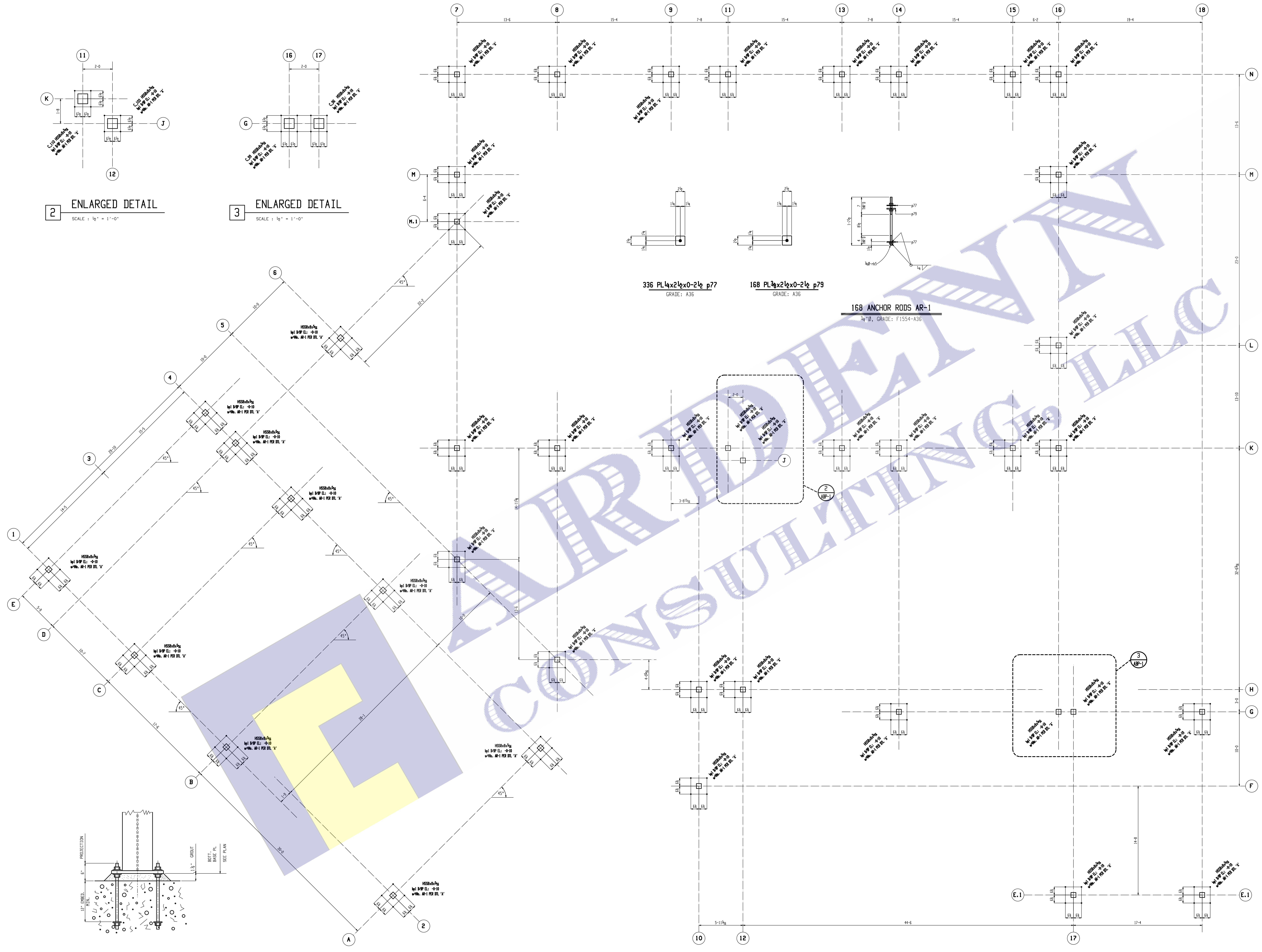


**2** ENLARGED DETAIL  
SCALE: 1/2" = 1'-0"



**3** ENLARGED DETAIL  
SCALE: 1/2" = 1'-0"



**A** ANCHOR ROD SETTING DETAIL  
SCALE: 1/4" = 1'-0"  
B/BP EL: 0-0 is bottom of base plate elevation (U.N.O.)

**1** ANCHOR BOLT SETTING PLAN  
SCALE: 1/4" = 1'-0"  
B/BP EL: 0-0 is bottom of base plate elevation (U.N.O.)



1 Sep 2014 Submitted for approval BY: [Signature] DESCRIPTION: [Blank]		BY: [Blank]	DATE: [Blank]
Steel Detailer: <b>ARDENN CONSULTING, LLC</b> Fayetteville Town Center 805 South Glynn Street, Suite 127-119 Fayetteville, Georgia 30214			
Steel Fabricator: <b>REYNOLDS WELDING &amp; FABRICATIONS, LLC</b> 3460 Main Street, Suite #1 Hartford, CT 06120			
Open Holes: 1/2" U.S.G. Shop Paint: Red Oxide Primer	Anch. 1	Eng. 1	[Blank]
Project Name: [Blank] Address: [Blank] G.C.: [Blank]			
Day Title: <b>ANCHOR BOLT SETTING PLAN</b> Drawn By: BJ Job No.: <b>SD11-0</b> Checked By: NS Approved By: [Blank]			